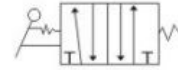
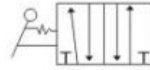


Ordering code

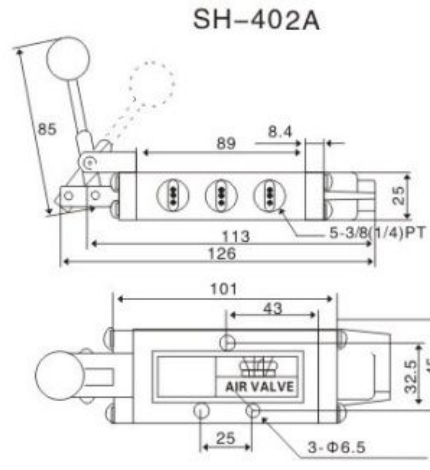
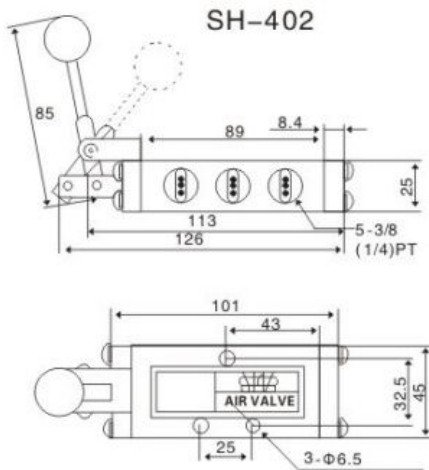
SH - 402 A

Type Port size Blank:fixed type



Technical parameter

Item	Model	SH-402	SH-402A	SH-403	SH-403A
Fluid		Air			
Pressure range		0~8kgf/cm ²			
Temperature range		0~70℃			
Port size		1/4PT		3/8PT	
Port and position		5 port 2 position			



Ordering code

4H - 2 - 10 - 06

2:200 series 10:sngle coil double position Port size
3:300 series

06: 1/8"
08: 1/4"
10: 3/8"

4H:5 port 2 position



Item/model	4H210-06	4H210-08	4H310-06	4H310-10
A	76.7	76.7	92.5	92.5
B	56.5	56.5	72.5	72.5
C	31.5	31.5	40	40
D	22	22	27	27
E	95	95	100	100
F	6.5	6.5	7.5	7.5
G	66.5	66.5	82.5	82.5
H	Φ18	Φ18	Φ18	Φ18
I	20	20	24	24
J	36	36	45	45
K	21	21	24	24
L	23.5	23.5	27.5	27.5
M	35	35	40	40
N	1/8"	1/8"	1/4"	1/4"
O	1/8"	1/8"	1/4"	1/4"
P	Φ4.3	Φ4.3	Φ4.3	Φ4.3
Q	-	-	-	-
Φ	15.8	15.8	17.5	17.5