

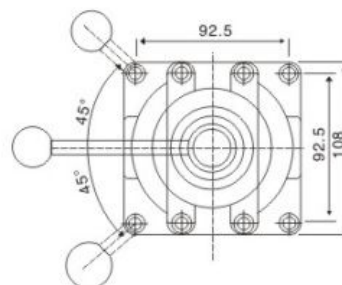
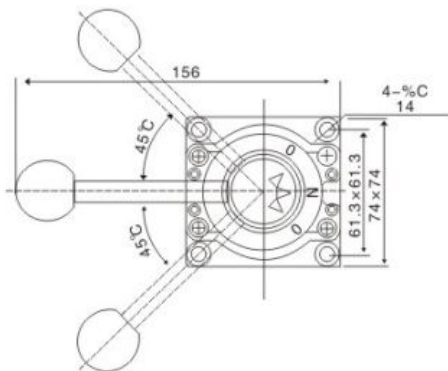
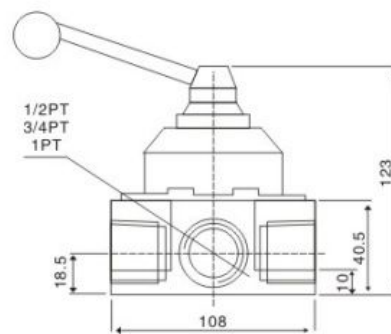
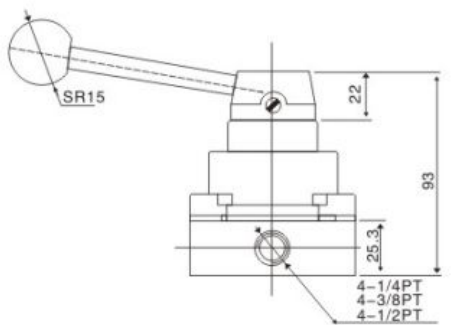
订购代码

HV - 02
 | |
 Model Pipe size

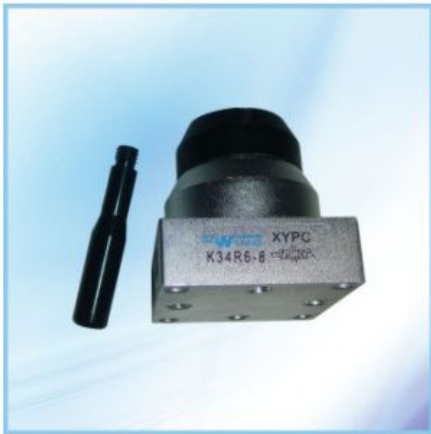


Technical parameters

Item	Model	HV-02	HV-03	HV-04	HV-400	HV-600	HV-800
Type		General type			Large flow type		
Fluid		Air					
Operating pressure range		0~8kgf/cm ²					
Temperature range		0~60℃					
Pipe size		1/4PT	3/8PT	1/2PT	3/4PT	1"PT	
Position number		4 port 3 position					

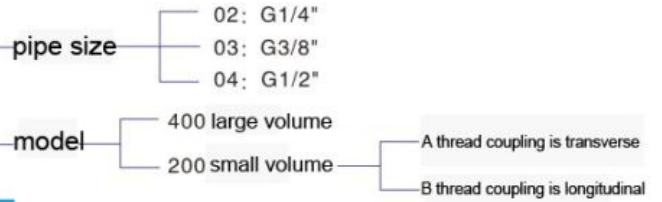


※HV-02 (03, 04) appearance are same, but pipe size are different.
 HV-400 (600, 800) appearance are same, but pipe size are different.



Ordering code

HV400 - □



Product introduction

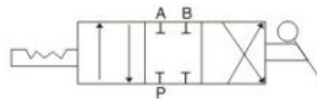
Hand rotary valve is a reversing valve worked by turning handle, the valve are 3/2way, 4/3way and 5/2way valve. The direction-change turns lightly with good hand feeling and exact orientation. Large effective circulating area leads to little pressure loss.

Pipe size: G1/8" ~G1/2"

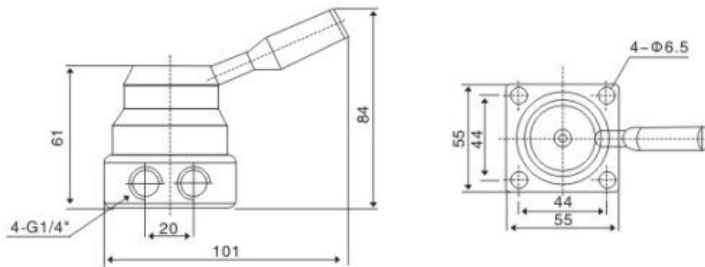
Operating pressure range: 0~0.8MPa

Temperature range: -5~60°C

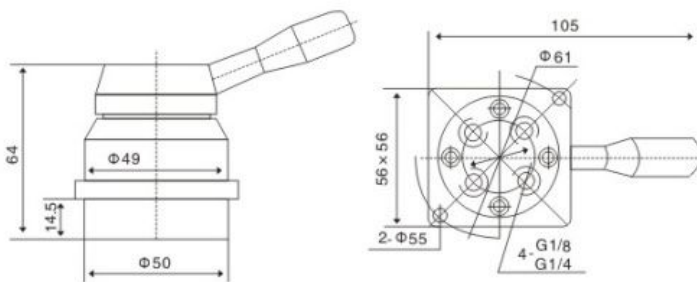
Installating size



HV200A



HV200B



HV400

