

Features

*Easy to connect, and used for a wide variety of modes to meet all needs.

Technical parameter



Fluid	Air
Pressure range	0~15kgf/cm ²
Temperature range	0~70°C



SM

Type

L

2 ways

XL

High flow

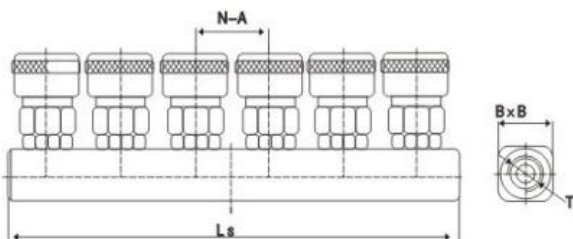
Code	Material
S	Kirsite
SUS	Stainless steel
ST	Irony
T	Copper



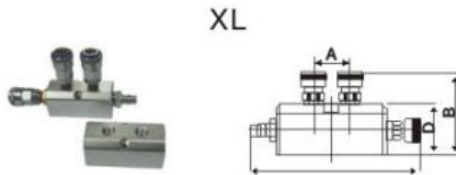
SMZ



SMX



Type	SML	SMT	SMM	SMX	SMZ
Ways	2	3	4	5	6
N	1	2	3	4	5
A	34.4	38.5	31.9	30	30
B	39.6	39.6	39.6	22	22
T	1/4PT	1/4PT	1/4PT	1/4PT	1/4PT
LS	85	126	160	172	184



Type	SML-XL	SMT-XL	SMM-XL
L	152	195.5	323
A	32	32	32
B	81	81	81
D	39.8	39.8	39.8

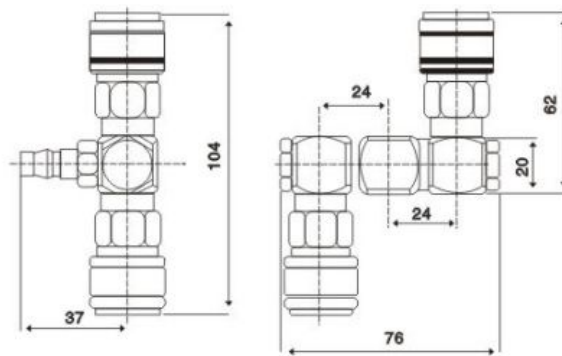


Type	SMV	SMY	SMY-BASE	SMV-BASE
	2	3	3	2
A	27	27	27	27
B	39.5	39.5	39.5	39.5
C	68.5	69	35	35

Features

When use it,you can adjust the direction of rotation.

YL-2



YL-2

