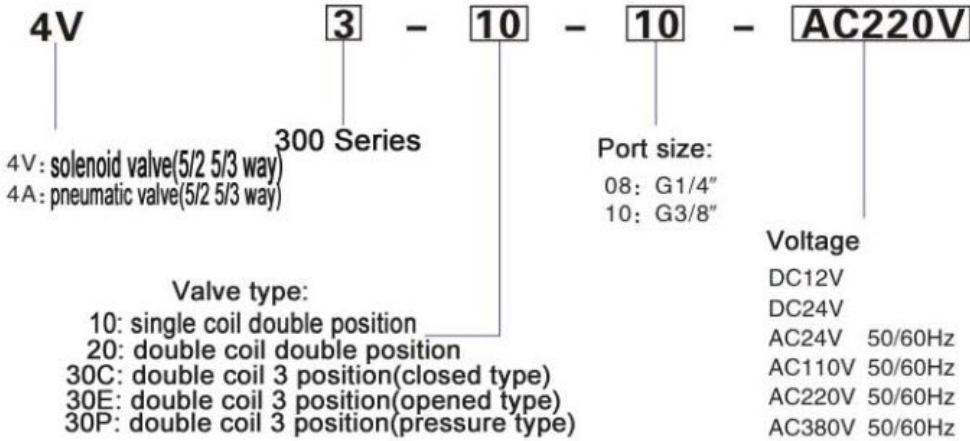


Order Code



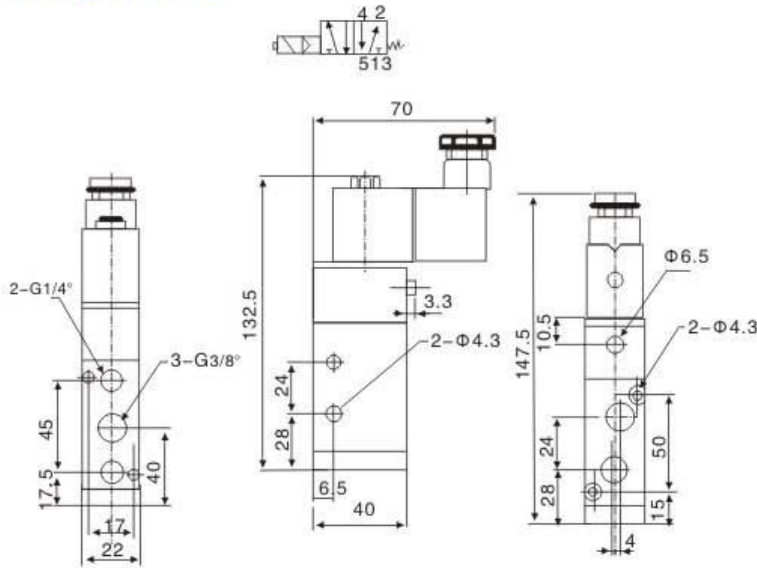
Specification

Model	4V310-08	4V320-08	4V330C-08	4V330E-08	4V330P-08	4V310-10	4V320-10	4V330C-10	4V330E-10	4V330P-10
	4A310-08	4A320-08	4A330C-08	4A330E-08	4A330P-08	4A310-10	4A320-10	4A330C-10	4A330E-10	4A330P-10
Medium	Air (to be filtered by 40um filter element)									
Acting type	Piloted									
Valve type	5 port 2 position		5 port 3 position			5 port 2 position		5 port 3 position		
Effective size	25mm <sup>2</sup> ( CV=1.40 )		18mm <sup>2</sup> ( CV=1.00 )			30mm <sup>2</sup> ( CV=1.68 )		18mm <sup>2</sup> ( CV=1.00 )		
Port size	In = Out = Exhaust =G1/4"					In = Out = G3/8" Exhaust = G1/4"				
Lubrication	No need									
Working pressure	1.7~7.0Kg/cm <sup>2</sup> ( 24~100psi )									
Proof pressure	10.5Kgf/cm <sup>2</sup> ( 150psi )									
Temperature	5~50°C ( 41~122° F )									
Voltage	± 10%									
Rated voltage	AC: 4.5VA DC:3.0W									
Insulativity	F class									
Protect	IP65(DIN40050)									
Connect type	Terminal									
Max frequency	4 cycle/sec.									
Activating time	0.05 sec.									

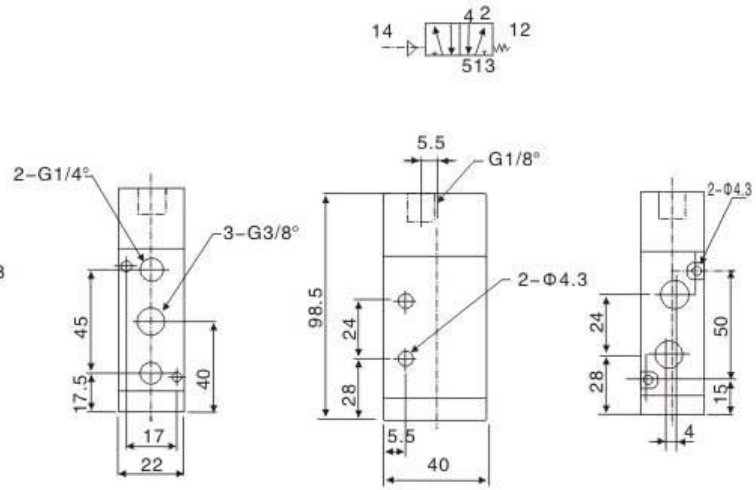
Dimensional Data

www.xyqd.com.cn  
xyqd.en.alibaba.com

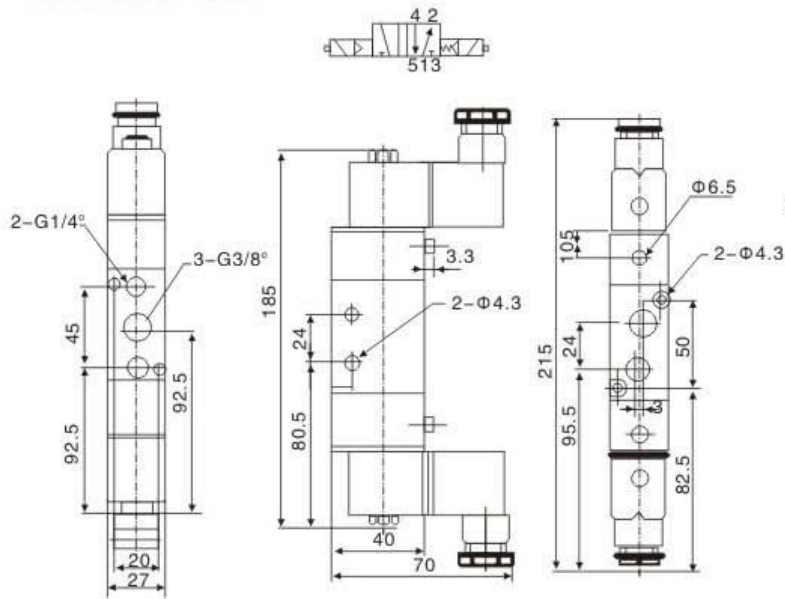
4V310-10



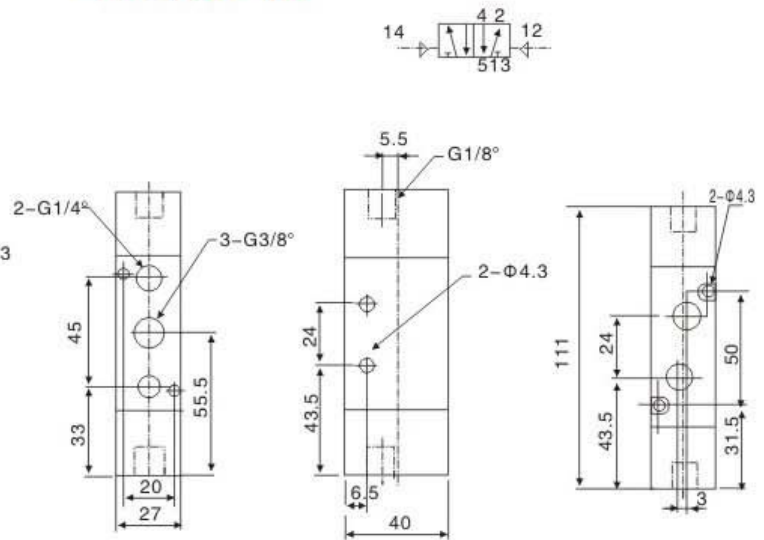
4A310-10



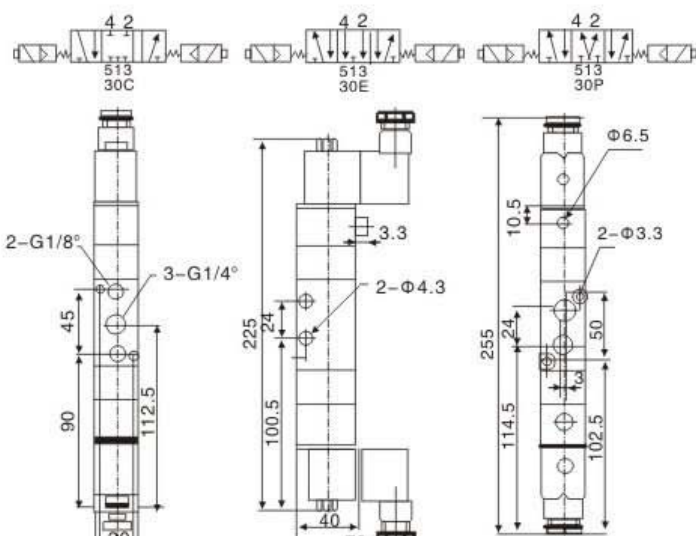
4V320-10



4A320-10



4V330-10



4A330-10

